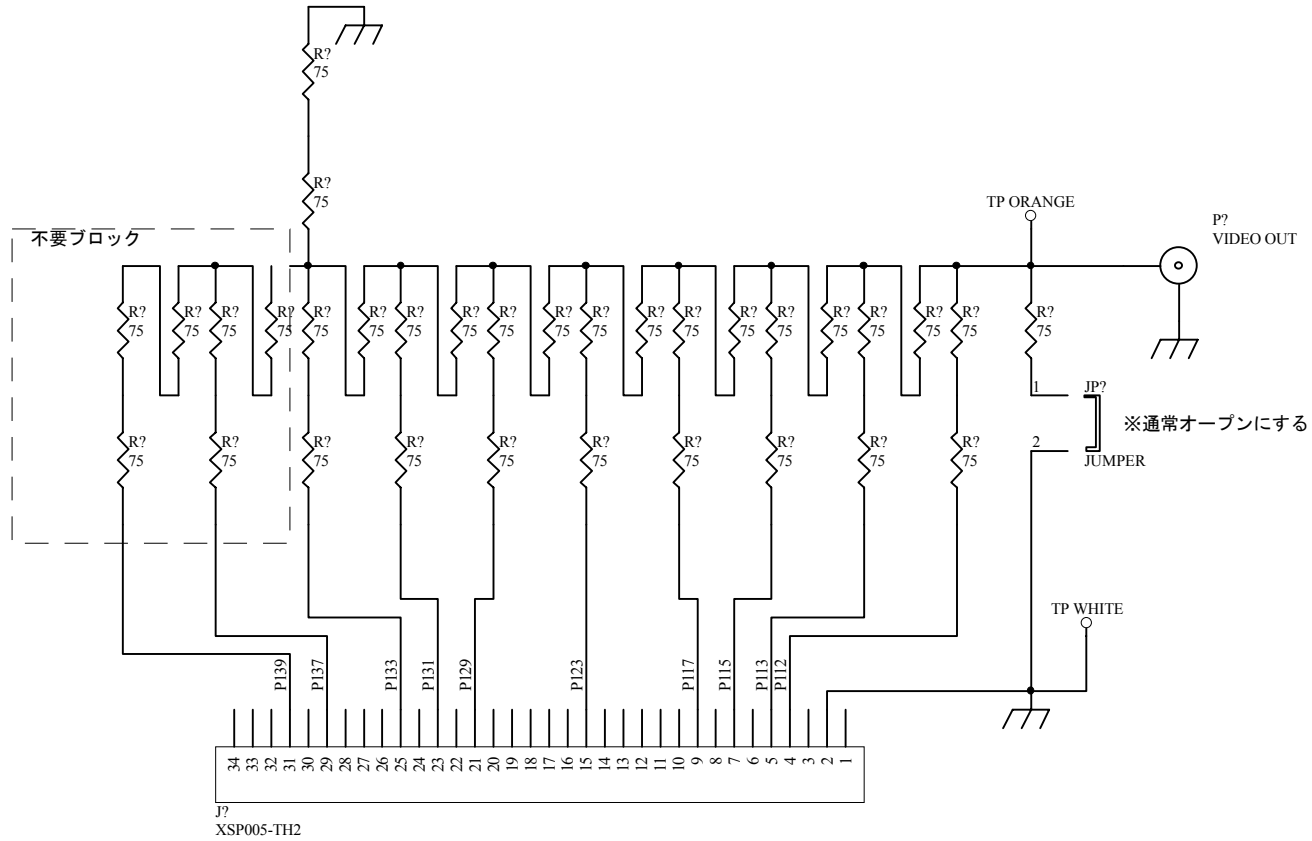


# SpartanII R2R VIDEO-DAC TEST BOARD



Title		
Size A4	Number	Revision
Date: 30-Oct-2002	Sheet of	
File: C:\SCH\pacman\pacman.ddb	Drawn By:	