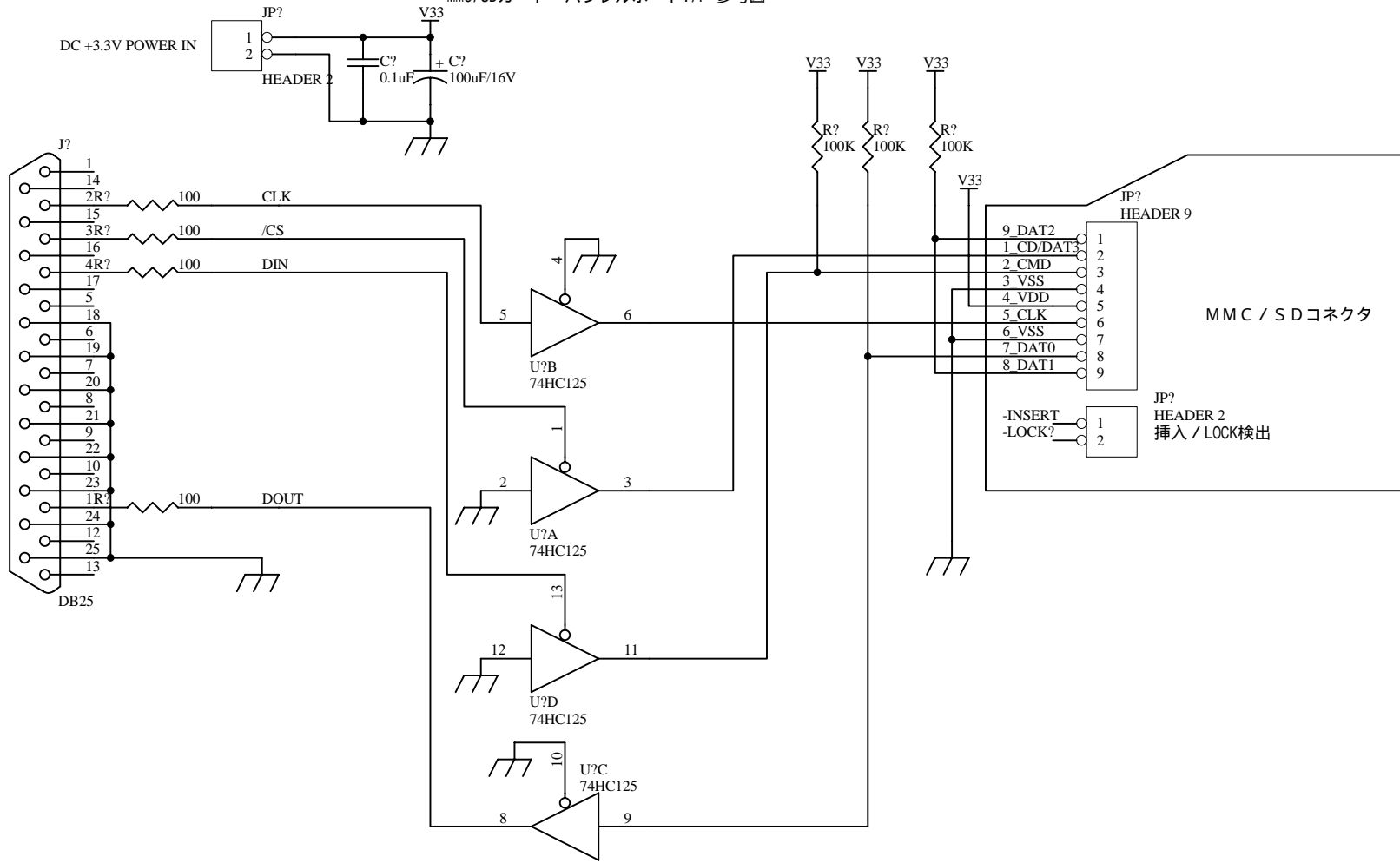


MMC/SDカード - パラレルポートI/F 参考図



74HC125のVDDはV33(3.3V)へ接続

Title		Tatsuyuki satoh	
<b>MMC/SD Card Parallel I/F</b>			
Size: Orcad A	Number: 1	Revision:	
File: C:\usr\SCH\MyDesign.ddb - SD_PAR		Date: 18-Dec-2002	Time: 16:57:04
		Sheet 1	of 1