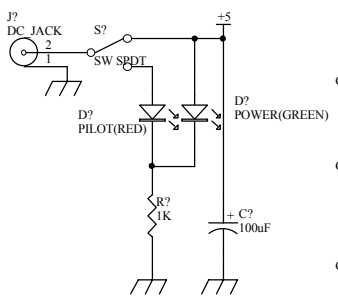
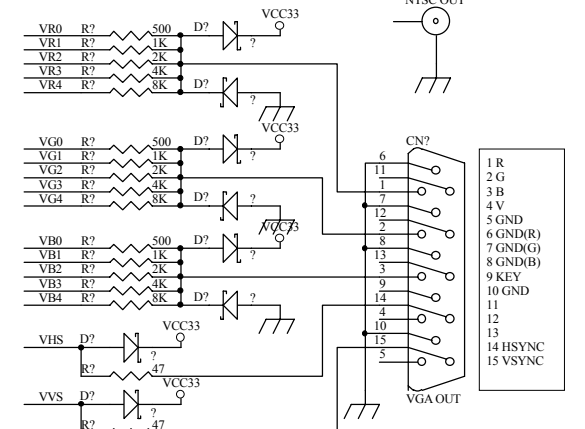
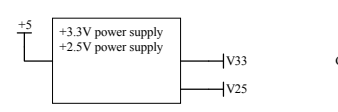


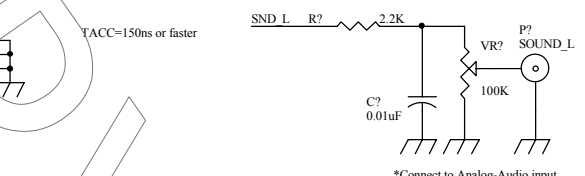
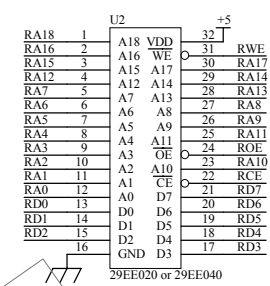
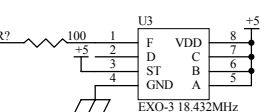
\*Regulated +5.0V IN



\*There is no entry yet



\*Connect to Standard VGA Monitor



\*Connect to Analog-Audio input

Title		Tatsuyuki Satoh	
<b>FPGA-PACMAN</b>			
Size: B	Number:	Revision: 00	
File: C:\SCH\pacman.pacman.ddb - REV 2.00 - 2002.02.24 Time: 13:28:17 Sheet 1 of 1			